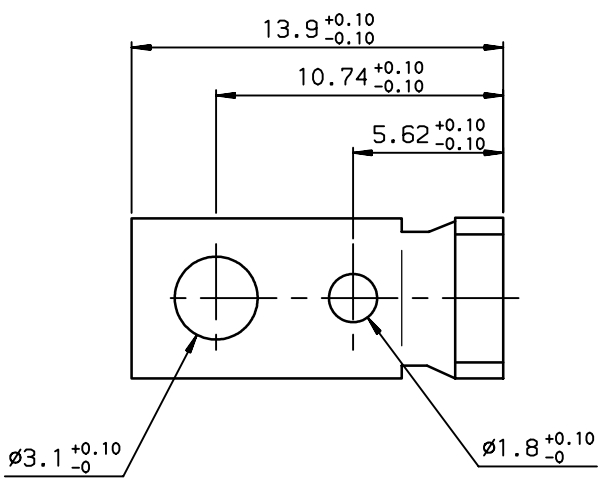
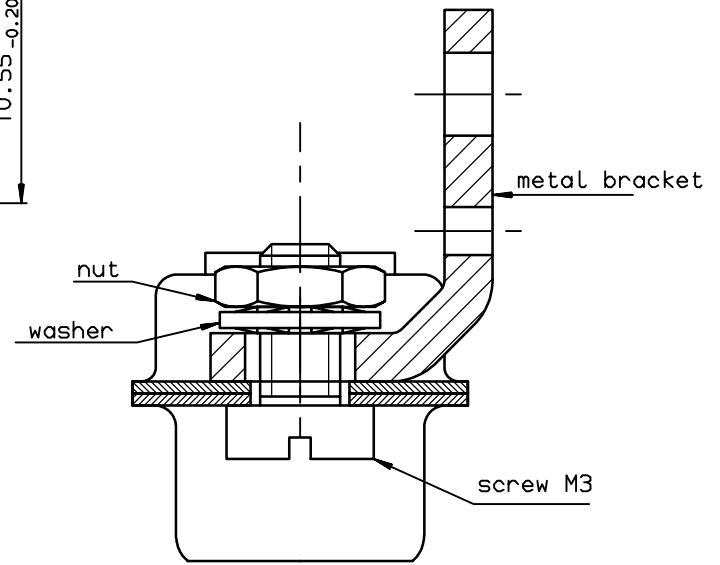
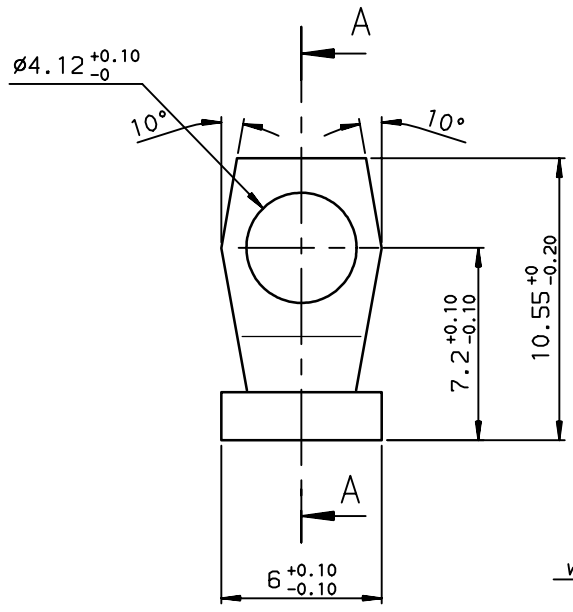
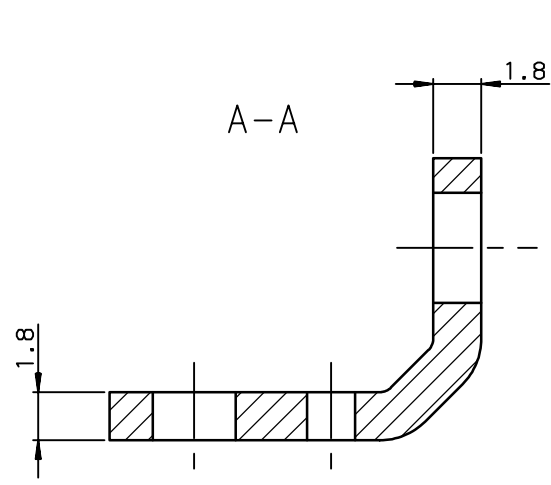


MATERIAL:
Steel . Cadmium plating

TEMPERATURE RANGE:
-Climatic category: -55°/ +125°

PACKAGING:
Per 100 pieces

BRACKET MOUNTING



Part number **8655-2008**

European Views

www.fciconnect.com		surface ISO 1302 <input checked="" type="checkbox"/>	tolerance std ISO 406 ISO 1101	projection 	mm
TOLERANCES UNLESS OTHERWISE SPECIFIED					
Dr	JOUBERT	1998/04/10	0.X	±0.1	size A3
Eng	PESSON	1998/04/10	0.XX	±0.1	Scale 5
Chr	LEGARE	1998/04/10	0.XX' ±2'	0.XXX	±0.1
Appr	LEGARE	1998/04/10	Product family D-SUB		Spec ref -
FCJ		METAL BRACKETS		title -	Rev. B
catalog no -		C01-8655-1513		sheet 1 of 1	

rev	ecn no	dr	date
A	-	JOU	1998/04/10
B	LS06-0097	LGO	2006/07/28
-	-	-	-
-	-	-	-
-	-	-	-
-	-	-	-

